

Installation instructions

Tira

With concealed cable

Please read these instructions carefully. DC SHORT LTD cannot be held responsible if the installation and use of the towel rail is not carried out in accordance with the instructions given below or for materials not supplied by DC SHORT LTD.

SAFETY

The towel rail is not intended for use by young children or infirm persons without supervision. Young children should be supervised to ensure that they do not play with the appliance. The towel rail has been designed to withstand the loads expected during normal operation as a towel rail. The towel rail is not a ladder and should not be used as such.

ELECTRICAL

The towel rail must be wired by a registered electrician and must be earthed. An isolating switch must be positioned near the towel rail. If the supply cord is damaged the entire towel rail must be returned to DC SHORT LTD for repair.

WALL MOUNTING

The towel rail is designed to be fixed through wall cladding into solid wall framing, solid cementitious, or masonry walls. Plasterboard toggles, of at least 3mm diameter, may be used for 2 of the towel rail fixings. **The recommended installation height is 1600mm from the floor to the top of the rail.**

CARE & CLEANING

Do not use cream cleansers. Do not use spray on detergents. Use a soft cloth and warm soapy water or a silicone based household wax/polish such as SC Johnson 'Pledge' for general polishing and cleaning of the appliance. Fine scratching can be removed using the correct metal polish. Recommended brands are 'Autosol' and 'Brasso Paste', both available in tubes from supermarkets and car care outlets.

SPECIFICATION

Voltage	230V AC 50Hz
Power	70W
Width	450mm
Height	1150mm
Depth	250mm

INSTALLATION

- Typical wiring for timber framed walls is shown. For other types of wall construction a similar layout should be employed.
- Install a temporary cable from the electrical flush box to a 16mm exit hole in the wall framing prior to fixing wall linings.
- It is very important that the wiring exit hole is positioned correctly as this will determine the final position of the towel rail.
- It is recommended that the isolating switch be located within 1 metre of the towel rail.
- Connection details for switches further than 1 metre must comply with the appropriate wiring regulations.
- Measure the centre to centre distance between slots at the back of the towel rail.

INSTALLATION NOTES CONTINUED OVER PAGE...

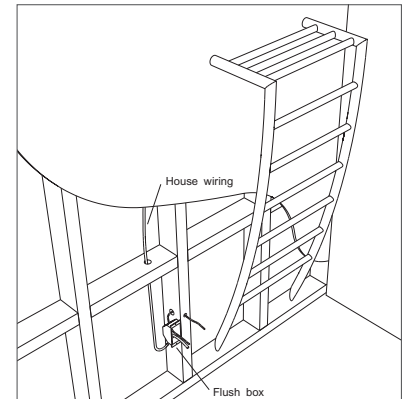


Fig 1.0

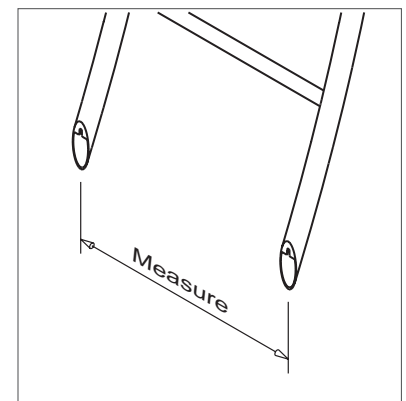


Fig 2.0

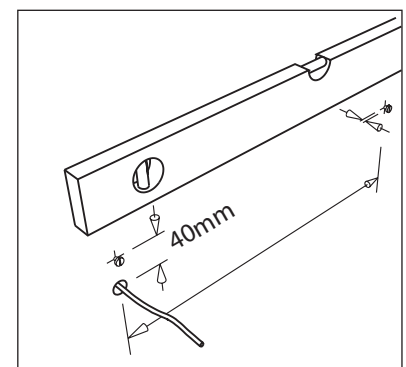


Fig 3.0

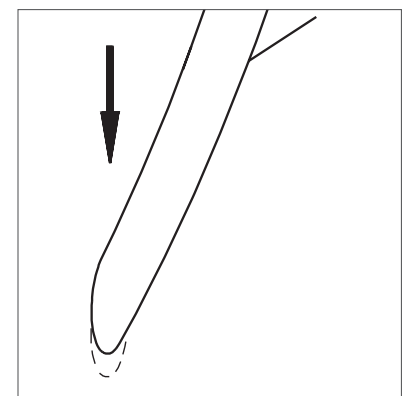


Fig 4.0

Tira

With concealed cable

INSTALLATION NOTES CONTINUED...

- Fix the first screw 40mm above the centre of the cable exit hole. see Fig 3.0 (over page)
 - Fix the second screw, level with the first, at the distance measured in Fig 2.0.
 - Leave a gap of 5mm between the wall and the head of the screws.
 - Some adjustment of this gap may be required during final assembly.
- Connect the temporary cable to the towel rail flex and pull the flex through to the flush box.
 - Slide the rail down the wall until the screw heads are securely engaged in the slotted plates. see Fig 4.0 (over page)

- Using a fine pencil, mark the position of the shelf tubes. see Fig 5.0
- Use a spirit level to ensure that the rail is straight.
- Remove the rail from the wall.
- Screw the mounting inserts securely to the wall at the locations marked.. see Fig 6.0

- Pull the flex through to the flush box once more.
- Slide the towel rail down the wall over the screw heads first. see Fig 7.0
- Press the shelf tubing onto the mounting inserts second.

- **Do not be tempted to flex the shelf tubing during final fitting as this may damage the towel rail. Better to loosen the curved leg screws to allow an easy fit.**

- Screw the self tapping screws into the underside of the shelf tubes so that the rail is securely fixed. see Fig 8.0
- Complete the electrical wiring of the towel rail to the isolating switch.

NOTE: Be very careful when mounting ladder style towel rails on walls that have a fixed geometric pattern (such as tiles). If the tiles are not exactly level (quite common) the towel rail will accentuate this problem. Visually align the rail to the grouted lines in the tiling. Other wall linings that can have the same problem are marble, terrazzo, timber panelling and embossed wall papers.

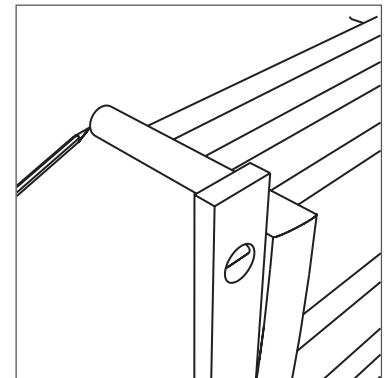


Fig 5.0

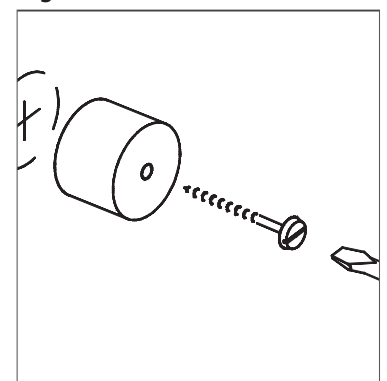


Fig 6.0



Fig 7.0

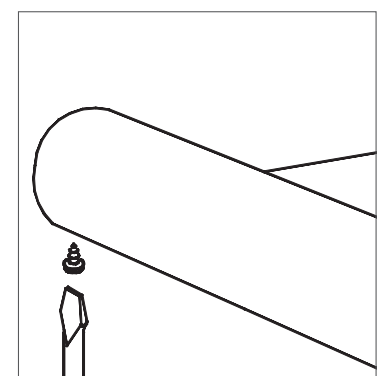


Fig 8.0

Warranty

DC Short Ltd warrants the purchaser against defects in workmanship and material for a period of twenty four (24) months from the date of original purchase. Purchase receipts for this product are to be retained as proof of purchase and must be presented if making a claim under the terms of the DC Short Ltd warranty. DC Short Ltd reserves the right to repair or replace the appliance within the warranty period. This warranty does not extend to accessories or defects or injuries caused by or resulting from causes not attributable to faulty parts or the manufacture of the product, including but not limited to, defect or injury caused by or resulting from misuse, abuse, neglect, accidental damage, improper voltage, liquid spillage, vermin infestation, software, or any alterations made to the product which are not authorized by DC Short Ltd. In Australia, this warranty is in addition to the conditions and guarantees which are mandatory as implied by the Trade Practices Act 1974 and State and Territory legislation.